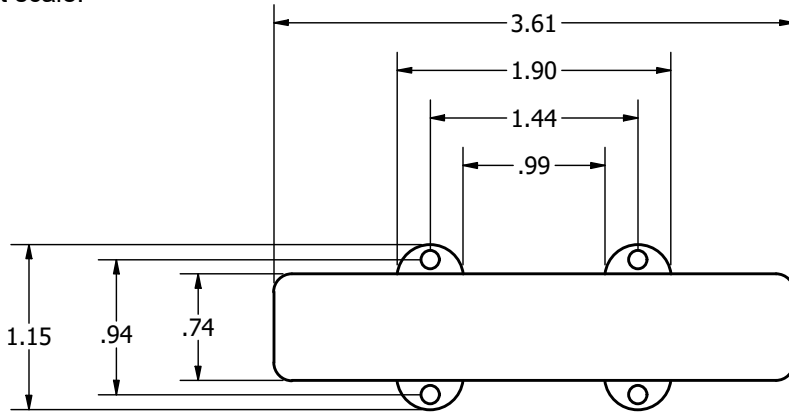
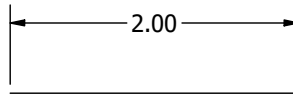
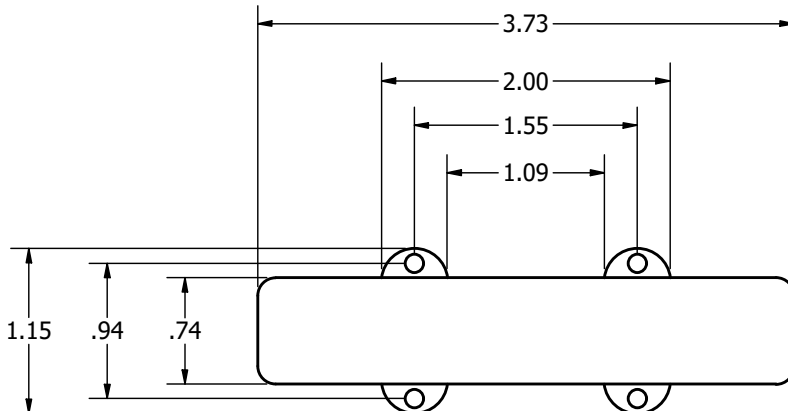


Check this 2.00 inch line
with a ruler to make sure
the drawing printed at the
correct scale.

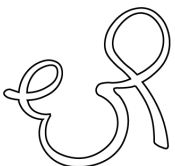
All dimensions in inches unless otherwise noted.



3.61 inch / 92 mm



3.73 inch / 95 mm



Epic
Custom
Shop